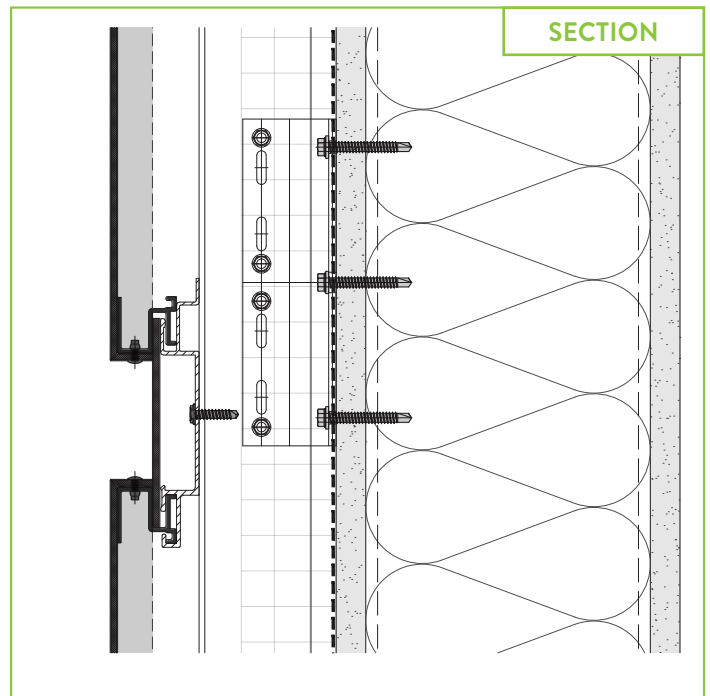
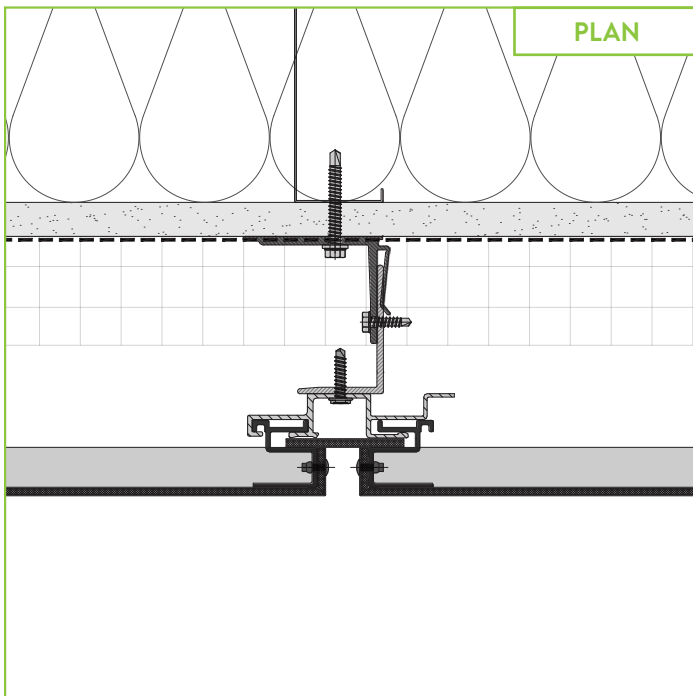
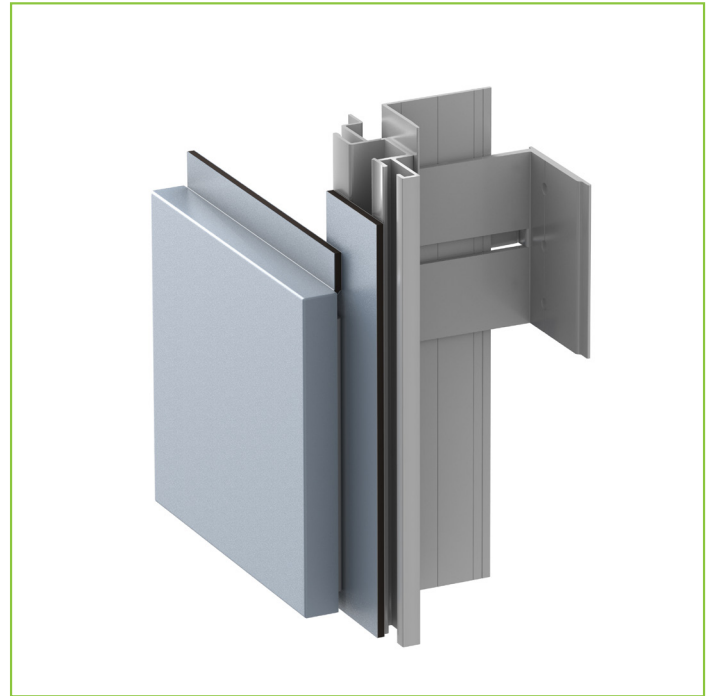


Vci.10 ACM/METAL

Building designers and owners want a complete, cost-effective wall where all components work together to maximize the wall's performance. ECO Cladding provides a full "system" approach to address all of the requirements of the wall design and ensure maximum performance for the façade panel.

- ✓ **ENGINEERED DESIGN**
- ✓ **THERMALLY EFFICIENT**
- ✓ **BRACKET ADVANTAGES**
- ✓ **EXCELLENT MATERIAL PROPERTIES**
- ✓ **MINIMIZED BREACH OF AIR BARRIER**
- ✓ **DESIGN AND CONSTRUCTION SUPPORT**



855.237.3370

info@ecocladding.com
www.ecocladding.com

NOTE: TYPICAL DETAILS IN CADS, PDFS AND SPECS ARE AVAILABLE ONLINE AT WWW.ECOCLADDING.COM