

**Legend**

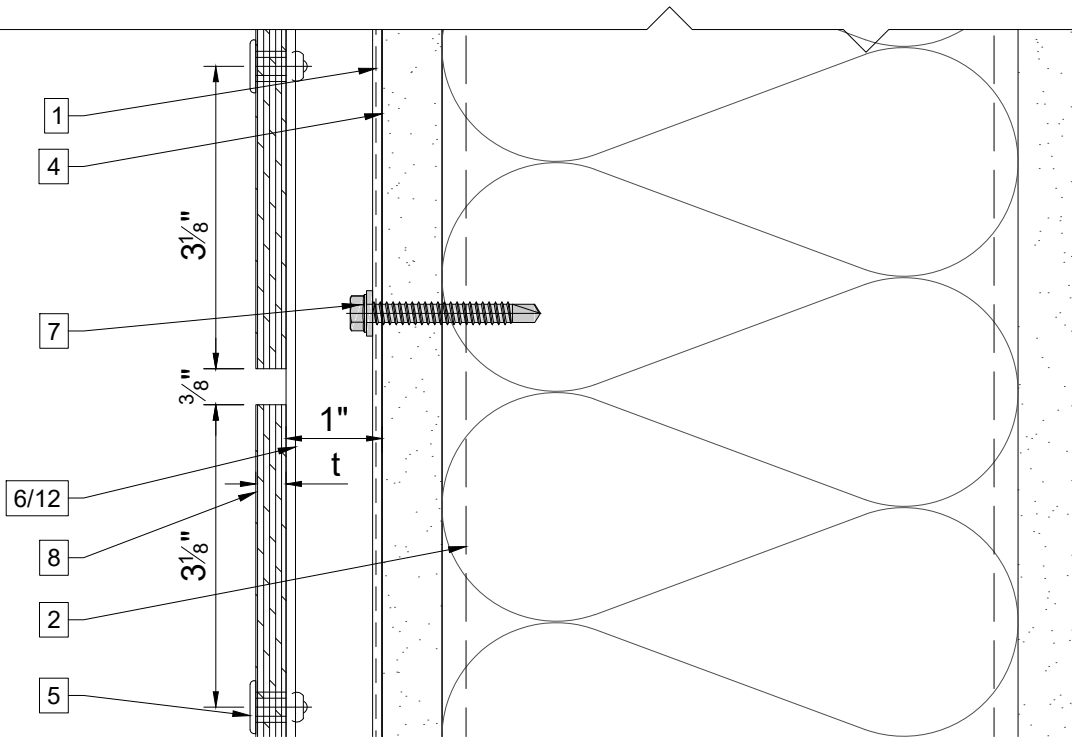
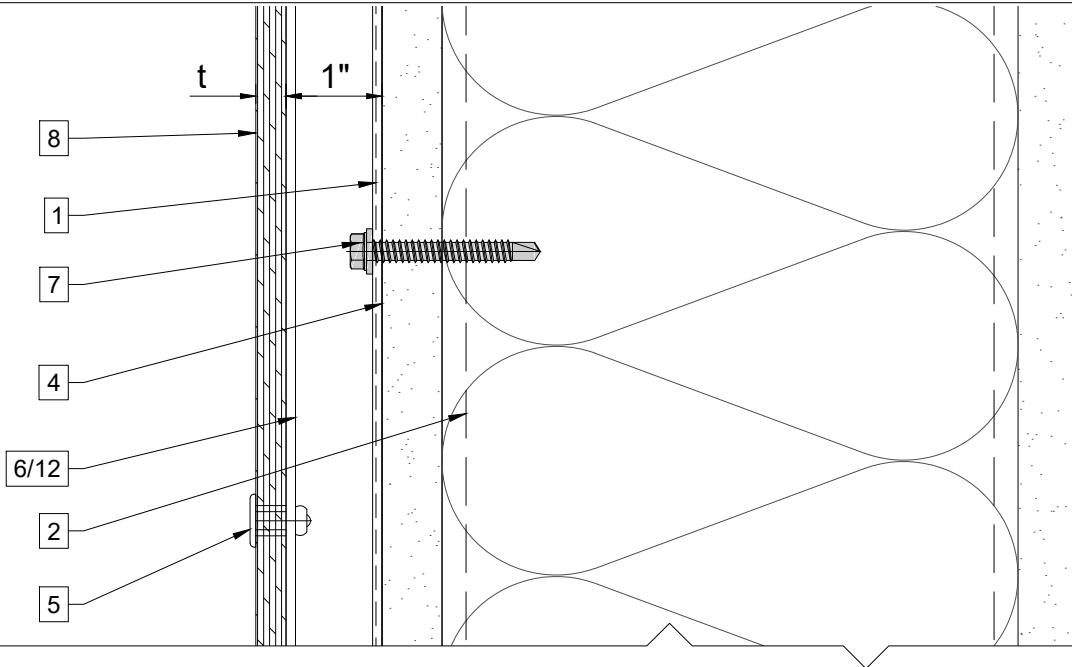
- 1. A/V barrier
- 2. Steel stud (16 GA typical)
- 3. Perimeter anchor (Xci)
- 4. Exterior wall
- 5. Blind rivet
- 6. Vertical Z-profile
- 7. Perimeter anchor
- 8. Panel

- 9. Inner corner profile
- 10. Closure
- 11. Perforated closure
- 12. Vertical Hat-profile
- 13. Outer corner profile
- 14. Coping (by others)
- 15. Window sill (by others)
- 16. Jamb closure

t - Panel thickness (typ. 0.315")

Items 9, 10, 11, 13, 16 are optional.  
Base system/pricing does not include items 9, 10, 11, 13, 16.

# Horizontal joint

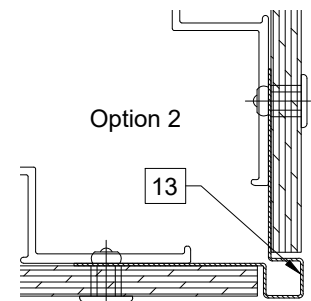
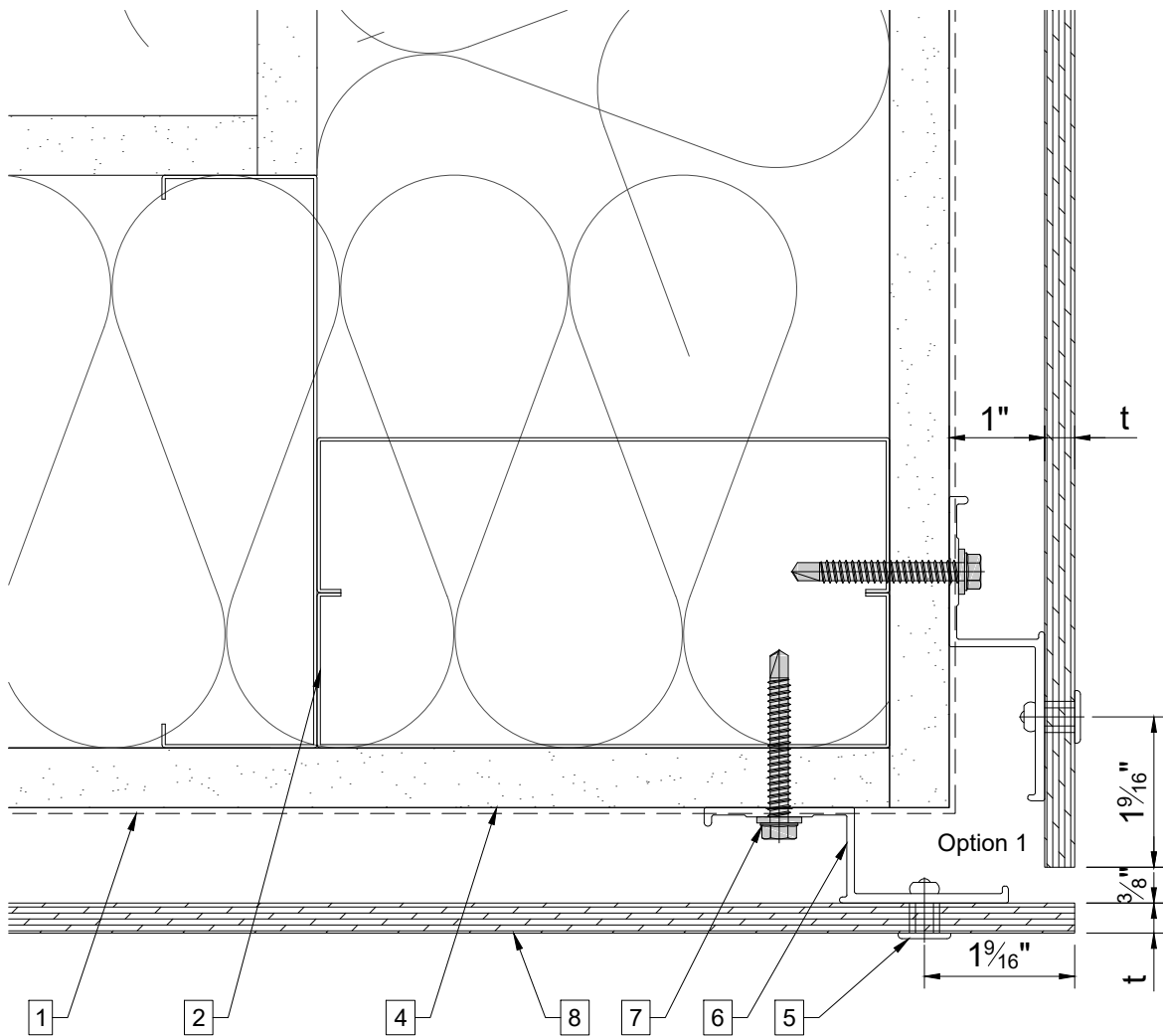


## Legend

- |                               |                             |
|-------------------------------|-----------------------------|
| 1. A/V barrier                | 9. Inner corner profile     |
| 2. Steel stud (16 GA typical) | 10. Closure                 |
| 3. Perimeter anchor (Xci)     | 11. Perforated closure      |
| 4. Exterior wall              | 12. Vertical Hat-profile    |
| 5. Blind rivet                | 13. Outer corner profile    |
| 6. Vertical Z-profile         | 14. Coping (by others)      |
| 7. Perimeter anchor           | 15. Window sill (by others) |
| 8. Panel                      | 16. Jamb closure            |

t - Panel thickness (typ. 0.315")

Items 9, 10, 11, 13, 16 are optional.  
Base system/pricing does not include items 9, 10, 11, 13, 16.

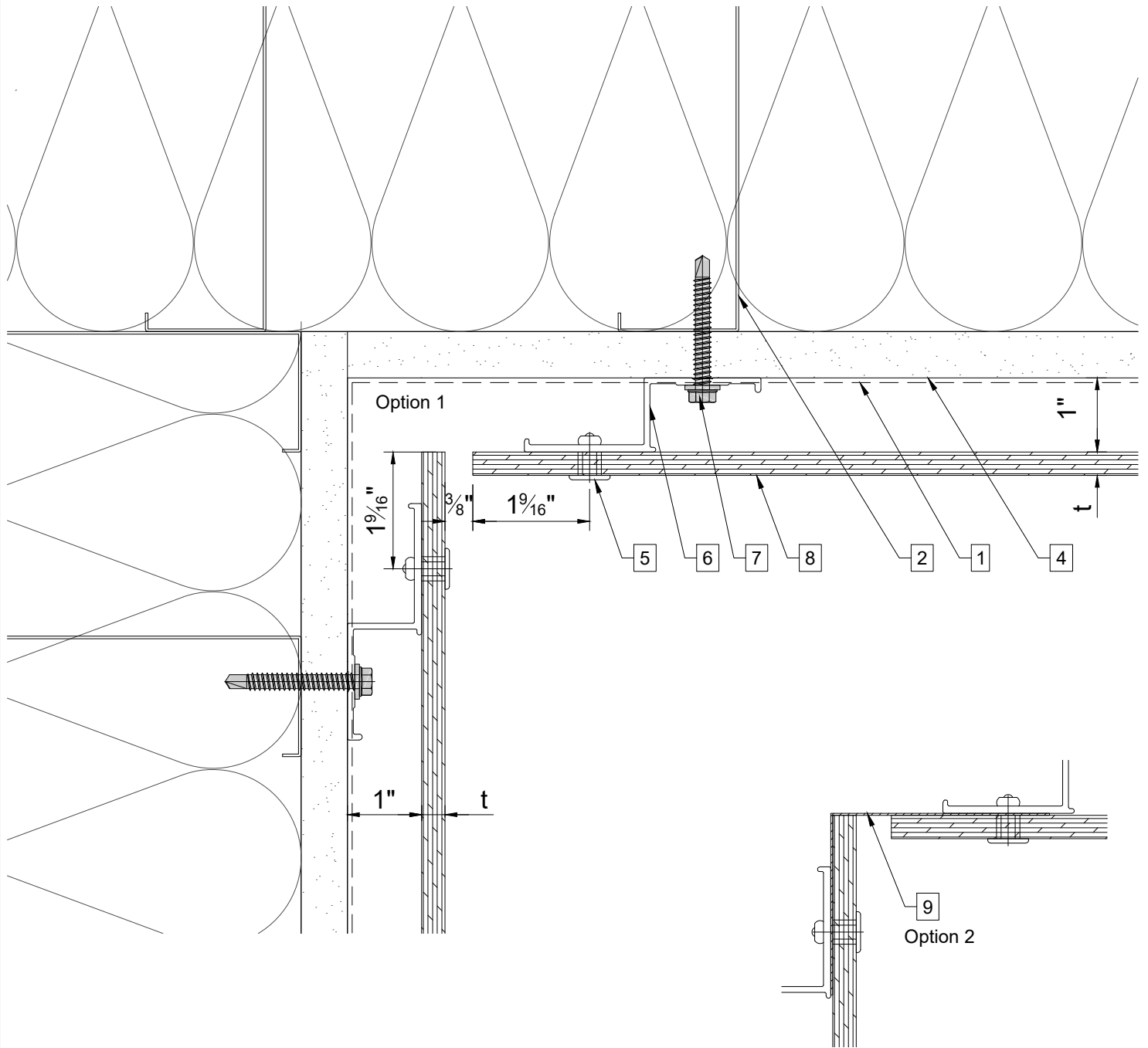


**Legend**

- |   |   |
|---|---|
| <ul style="list-style-type: none"> <li>1. AV barrier</li> <li>2. Steel stud (16 GA typical)</li> <li>3. Perimeter anchor (Xci)</li> <li>4. Exterior wall</li> <li>5. Blind rivet</li> <li>6. Vertical Z-profile</li> <li>7. Perimeter anchor</li> <li>8. Panel</li> </ul> | <ul style="list-style-type: none"> <li>9. Inner corner profile</li> <li>10. Closure</li> <li>11. Perforated closure</li> <li>12. Vertical Hat-profile</li> <li>13. Outer corner profile</li> <li>14. Coping (by others)</li> <li>15. Window sill (by others)</li> <li>16. Jamb closure</li> </ul> |
|---|---|

t - Panel thickness (typ. 0.315")

Items 9, 10, 11, 13, 16 are optional.  
Base system/pricing does not include items 9, 10, 11, 13, 16.



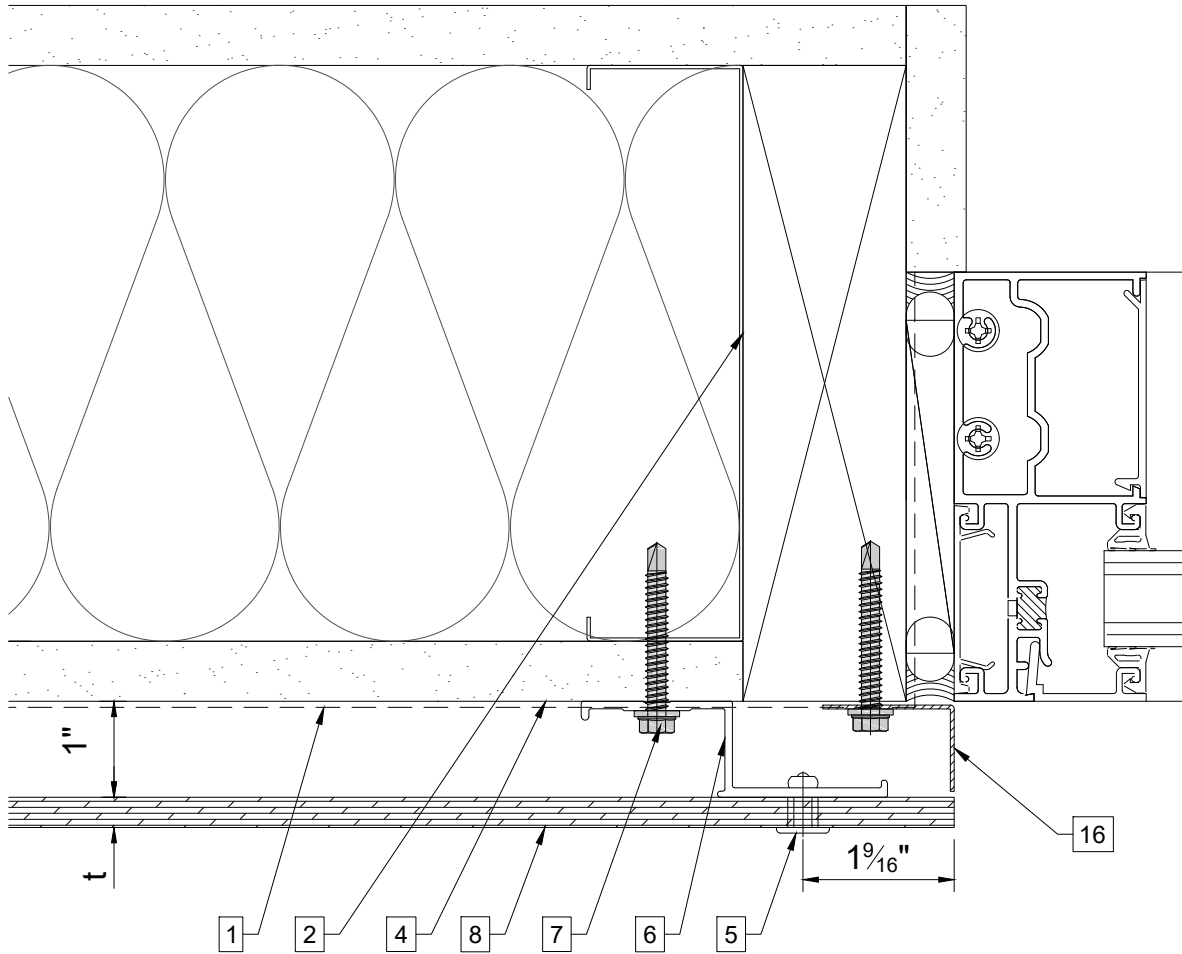
**Legend**

- 1. A/V barrier
- 2. Steel stud (16 GA typical)
- 3. Perimeter anchor (Xci)
- 4. Exterior wall
- 5. Blind rivet
- 6. Vertical Z-profile
- 7. Perimeter anchor
- 8. Panel

- 9. Inner corner profile
- 10. Closure
- 11. Perforated closure
- 12. Vertical Hat-profile
- 13. Outer corner profile
- 14. Coping (by others)
- 15. Window sill (by others)
- 16. Jamb closure

t - Panel thickness (typ. 0.315")

Items 9, 10, 11, 13, 16 are optional.  
Base system/pricing does not include items 9, 10, 11, 13, 16.



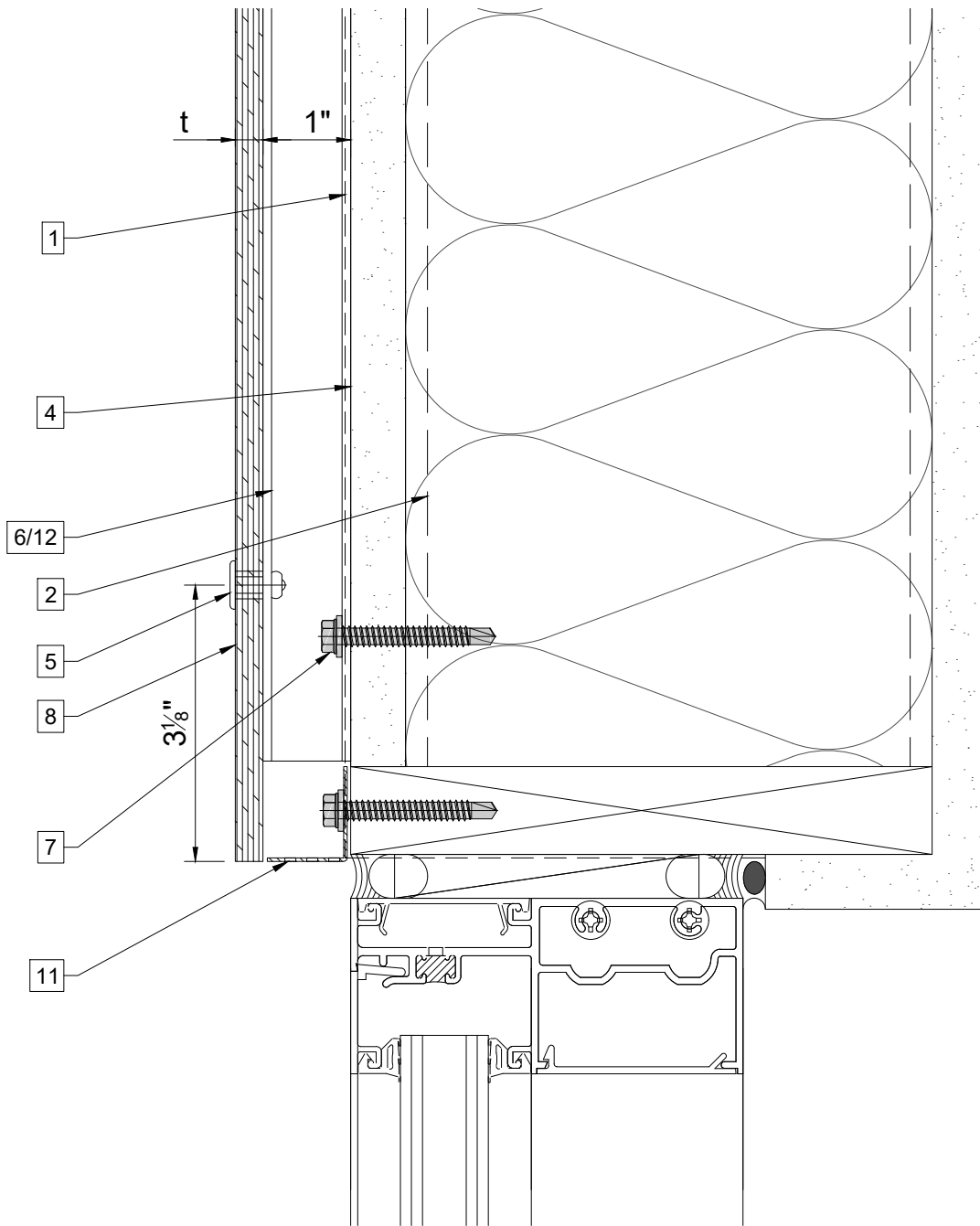
**Legend**

- 1. A/V barrier
- 2. Steel stud (16 GA typical)
- 3. Perimeter anchor (Xci)
- 4. Exterior wall
- 5. Blind rivet
- 6. Vertical Z-profile
- 7. Perimeter anchor
- 8. Panel

- 9. Inner corner profile
- 10. Closure
- 11. Perforated closure
- 12. Vertical Hat-profile
- 13. Outer corner profile
- 14. Coping (by others)
- 15. Window sill (by others)
- 16. Jamb closure

t - Panel thickness (typ. 0.315")

Items 9, 10, 11, 13, 16 are optional.  
Base system/pricing does not include items 9, 10, 11, 13, 16.



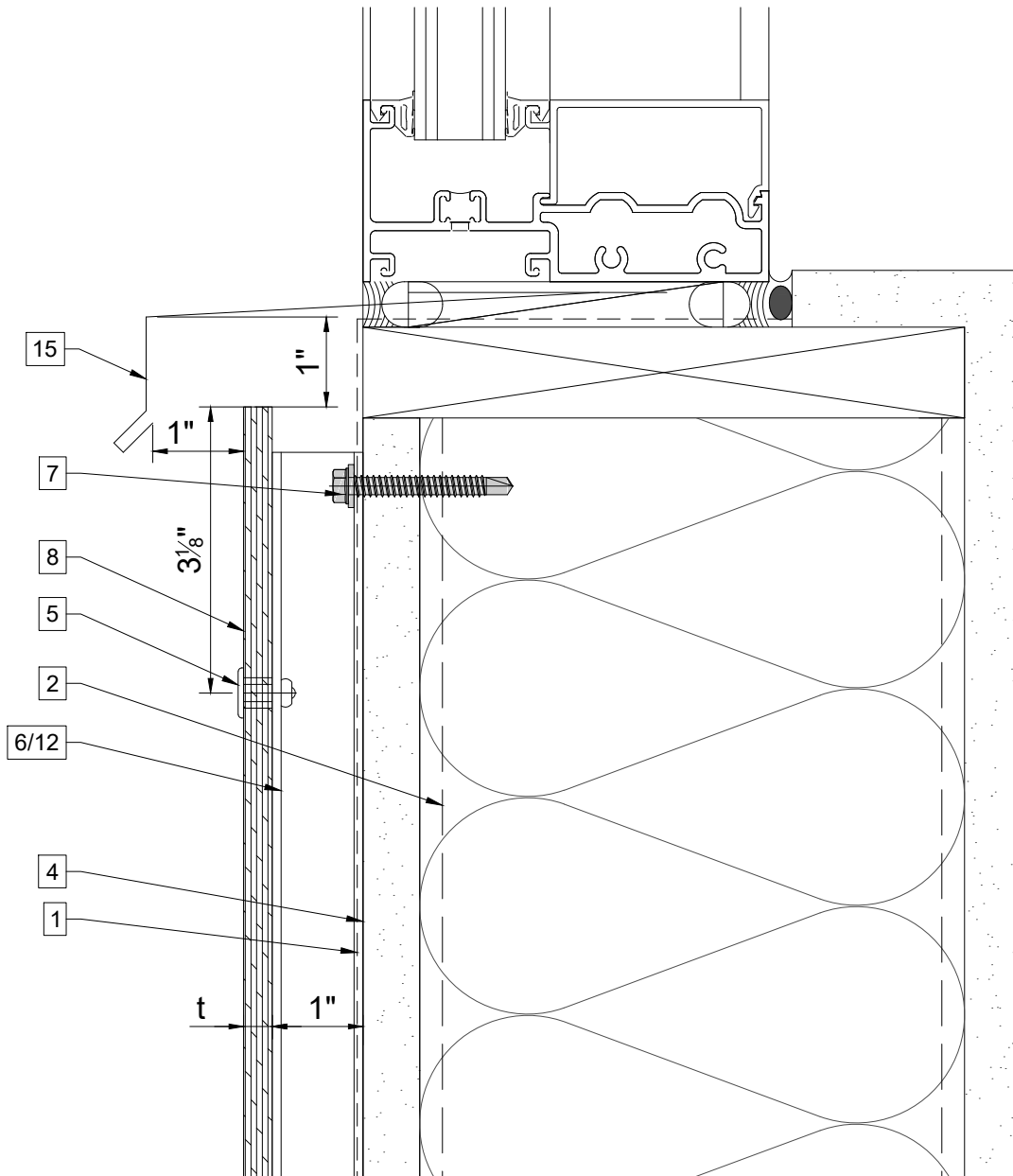
**Legend**

- 1. A/V barrier
- 2. Steel stud (16 GA typical)
- 3. Perimeter anchor (Xci)
- 4. Exterior wall
- 5. Blind rivet
- 6. Vertical Z-profile
- 7. Perimeter anchor
- 8. Panel

- 9. Inner corner profile
- 10. Closure
- 11. Perforated closure
- 12. Vertical Hat-profile
- 13. Outer corner profile
- 14. Coping (by others)
- 15. Window sill (by others)
- 16. Jamb closure

t - Panel thickness (typ. 0.315")

Items 9, 10, 11, 13, 16 are optional.  
Base system/pricing does not include items 9, 10, 11, 13, 16.



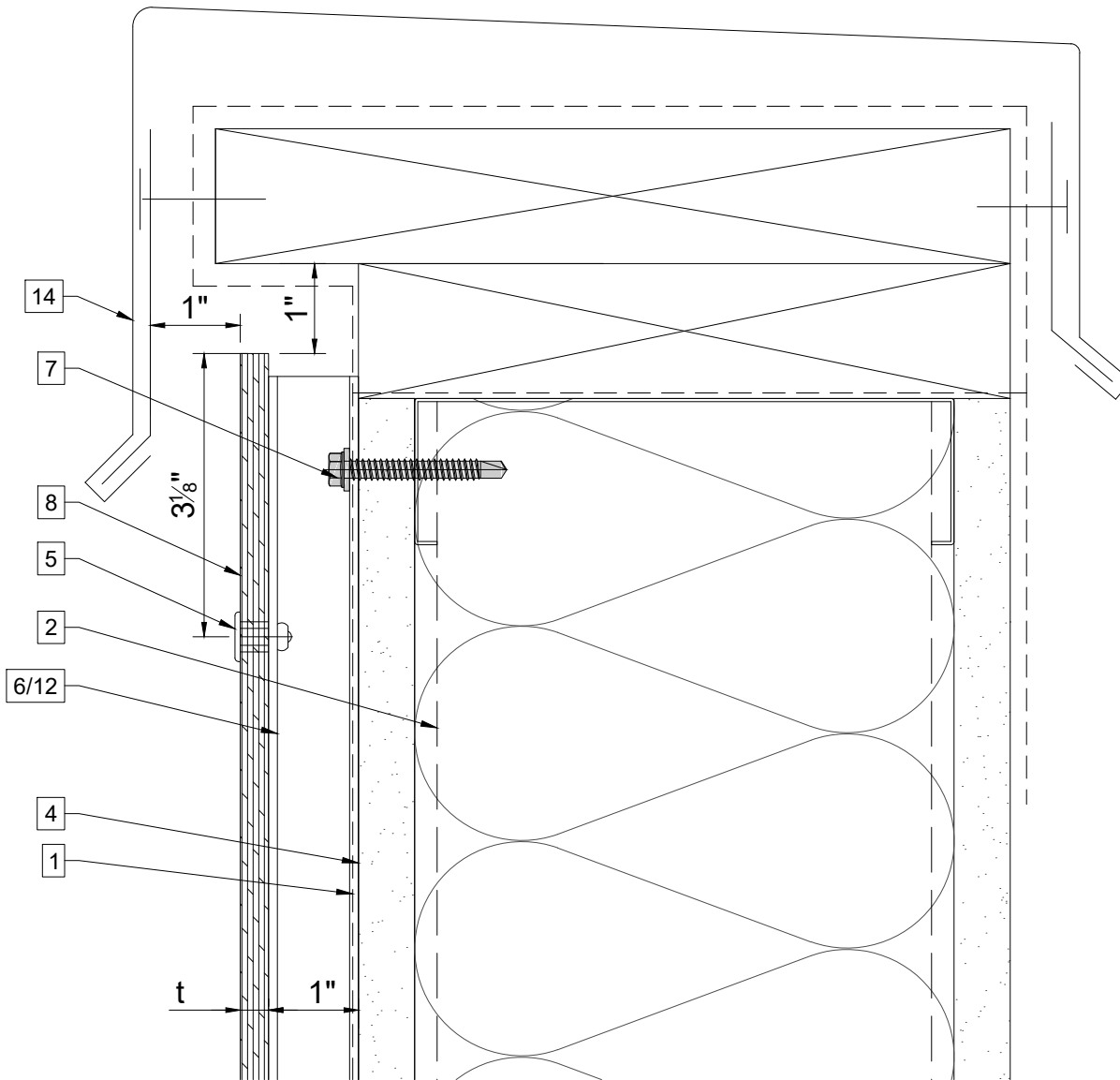
**Legend**

- |  |   |
|--|---|
| <ul style="list-style-type: none"> <li>1. A/V barrier</li> <li>2. Steel stud (16 GA typical)</li> <li>3. Perimeter anchor (Xci)</li> <li>4. Exterior wall</li> <li>5. Blind rivet</li> <li>6. Vertical Z-profile</li> <li>7. Perimeter anchor</li> <li>8. Panel</li> </ul> | <ul style="list-style-type: none"> <li>9. Inner corner profile</li> <li>10. Closure</li> <li>11. Perforated closure</li> <li>12. Vertical Hat-profile</li> <li>13. Outer corner profile</li> <li>14. Coping (by others)</li> <li>15. Window sill (by others)</li> <li>16. Jamb closure</li> </ul> |
|--|---|

t - Panel thickness (typ. 0.315")

Items 9, 10, 11, 13, 16 are optional.  
Base system/pricing does not include items 9, 10, 11, 13, 16.



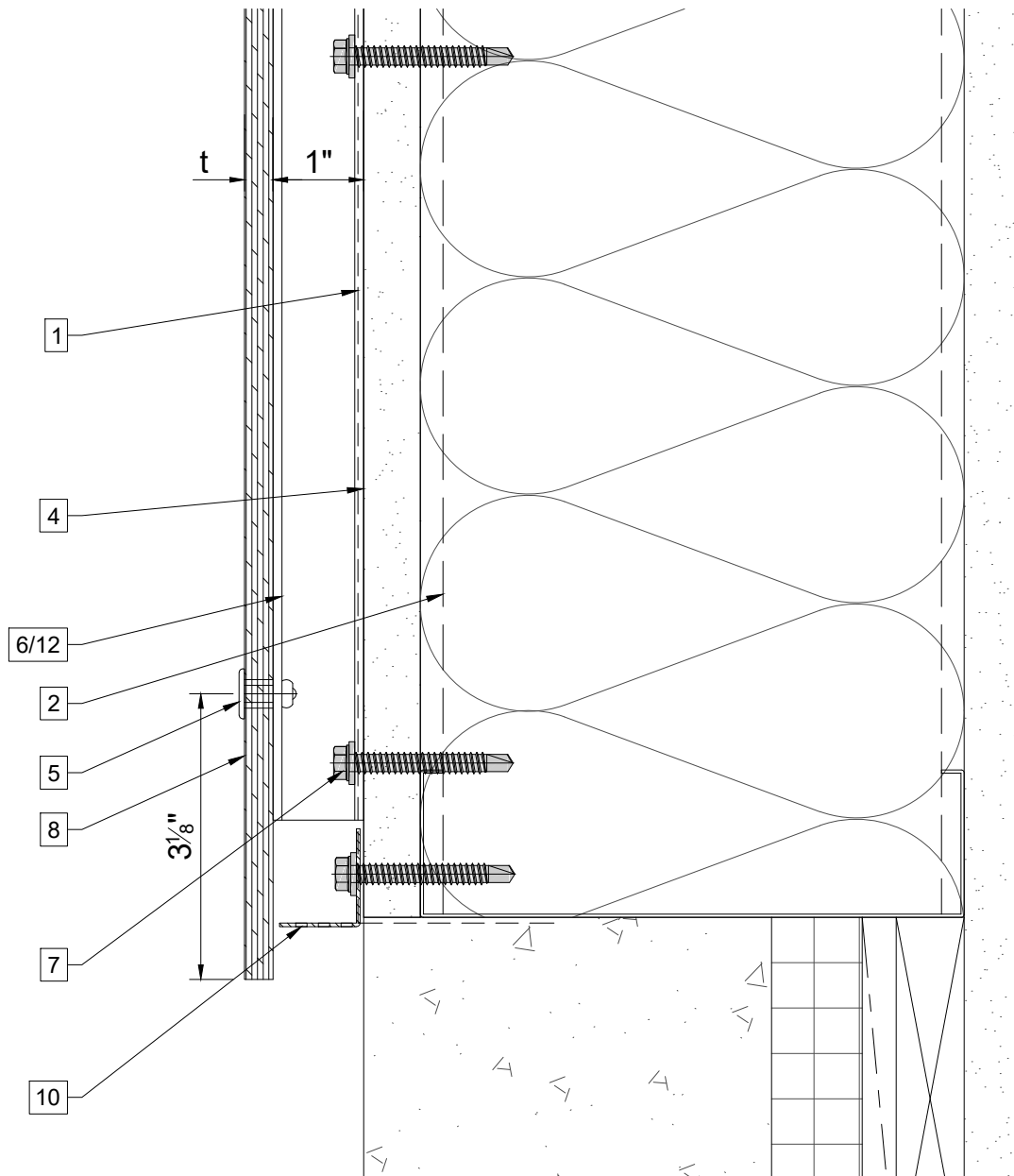


**Legend**

- |                               |                             |
|-------------------------------|-----------------------------|
| 1. A/V barrier                | 9. Inner corner profile     |
| 2. Steel stud (16 GA typical) | 10. Closure                 |
| 3. Perimeter anchor (Xci)     | 11. Perforated closure      |
| 4. Exterior wall              | 12. Vertical Hat-profile    |
| 5. Blind rivet                | 13. Outer corner profile    |
| 6. Vertical Z-profile         | 14. Coping (by others)      |
| 7. Perimeter anchor           | 15. Window sill (by others) |
| 8. Panel                      | 16. Jamb closure            |

t - Panel thickness (typ. 0.315")

Items 9, 10, 11, 13, 16 are optional.  
Base system/pricing does not include items 9, 10, 11, 13, 16.



**Legend**

- 1. A/V barrier
- 2. Steel stud (16 GA typical)
- 3. Perimeter anchor (Xci)
- 4. Exterior wall
- 5. Blind rivet
- 6. Vertical Z-profile
- 7. Perimeter anchor
- 8. Panel

- 9. Inner corner profile
- 10. Closure
- 11. Perforated closure
- 12. Vertical Hat-profile
- 13. Outer corner profile
- 14. Coping (by others)
- 15. Window sill (by others)
- 16. Jamb closure

t - Panel thickness (typ. 0.315")

Items 9, 10, 11, 13, 16 are optional.  
Base system/pricing does not include items 9, 10, 11, 13, 16.