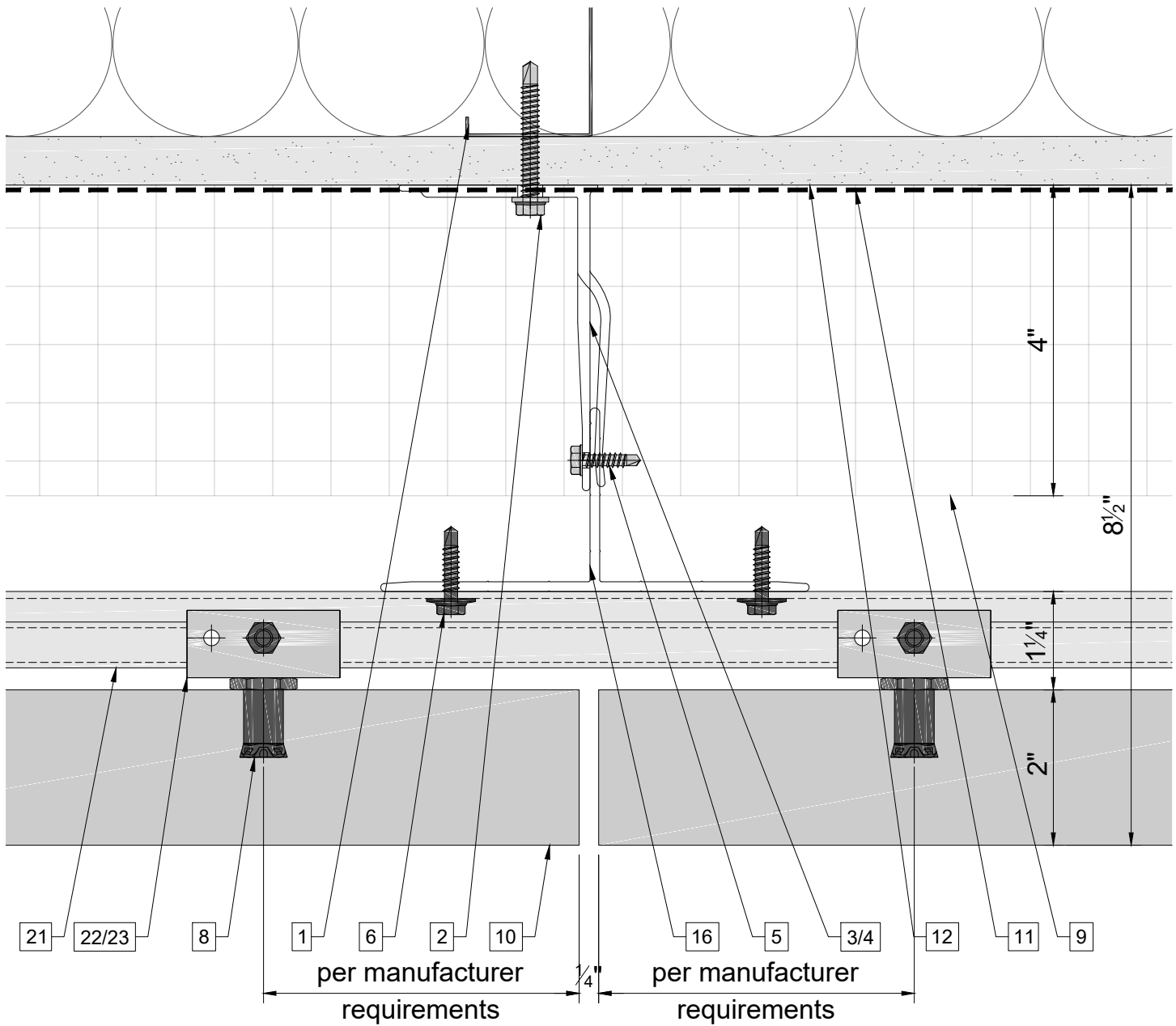


# Vertical joint



### Legend

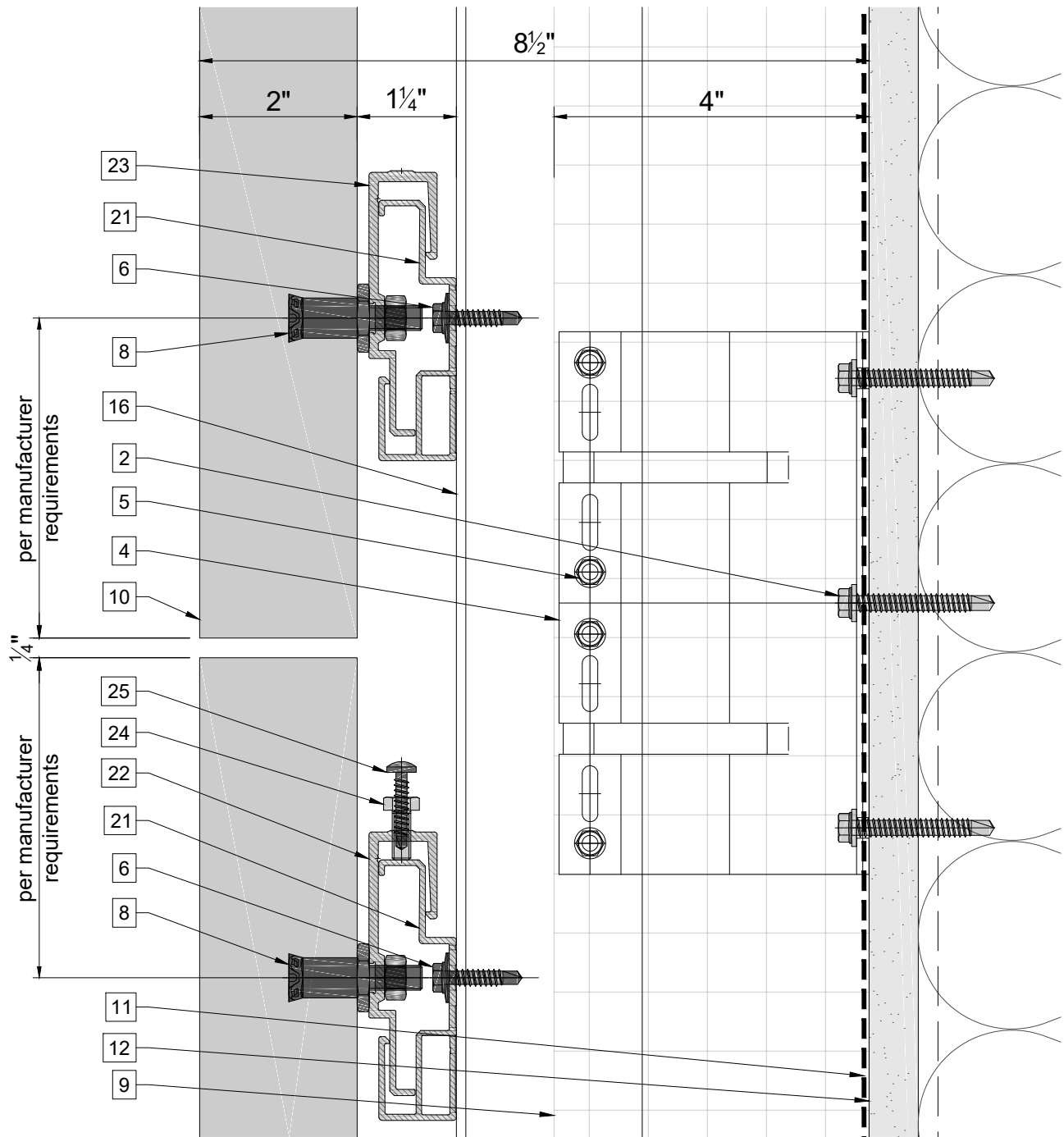
- 1. Steel stud (16 GA typical)
- 2. Perimeter anchor
- 3. Alpha V wall bracket
- 4. Alpha V+ wall bracket
- 5. st/st self-drilling screw  $\frac{3}{16}'' \times \frac{3}{4}''$
- 6. st/st self-drilling screw  $\frac{1}{4}'' \times 1''$
- 7. Vertical L-profile
- 8. Undercut anchor
- 9. Insulation
- 10. Panel
- 11. A/V barrier

- 12. Exterior wall
- 13. Outer corner closure
- 14. Inner corner closure
- 15. Jamb closure
- 16. Vertical T-profile
- 17. Coping
- 18. Perforated window head closure
- 19. Window sill
- 20. Perforated base closure
- 21. C-carrier rail

- 22. C-hanger, adjustable
- 23. C-hanger, non-adjustable
- 24. Leveling bolt M6
- 25. Fixing screw  $\frac{3}{16}'' \times 1''$
- 26. Rivet

\* Ventilation will vary based on insulation depth.  
 \*\* Minimum ventilation requirement should be qualified by panel manufacturer.  
 \*\*\* One of adjustable C-hangers per panel to be fixed with fixing screw  $\frac{3}{16}'' \times 1''$

# Horizontal joint



### Legend

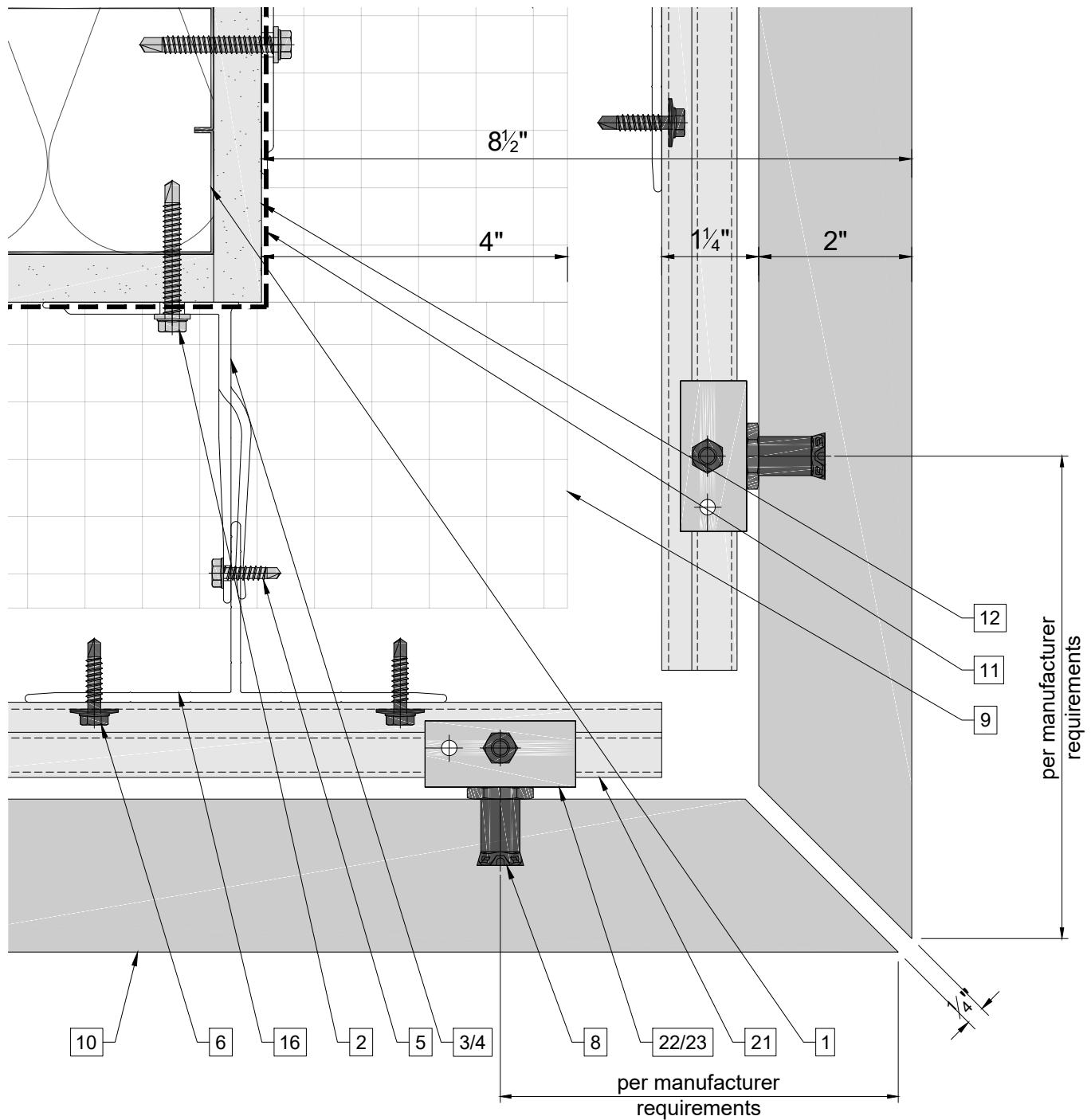
- 1. Steel stud (16 GA typical)
- 2. Perimeter anchor
- 3. Alpha V wall bracket
- 4. Alpha V+ wall bracket
- 5. st/st self-drilling screw  $\frac{3}{16}$ "x $\frac{3}{4}$ "
- 6. st/st self-drilling screw  $\frac{1}{4}$ "x1"
- 7. Vertical L-profile
- 8. Undercut anchor
- 9. Insulation
- 10. Panel
- 11. A/V barrier

- 12. Exterior wall
- 13. Outer corner closure
- 14. Inner corner closure
- 15. Jamb closure
- 16. Vertical T-profile
- 17. Coping
- 18. Perforated window head closure
- 19. Window sill
- 20. Perforated base closure
- 21. C-carrier rail

- 22. C-hanger, adjustable
- 23. C-hanger, non-adjustable
- 24. Leveling bolt M6
- 25. Fixing screw  $\frac{3}{16}$ "x1"
- 26. Rivet

- \* Ventilation will vary based on insulation depth.
- \*\* Minimum ventilation requirement should be qualified by panel manufacturer.
- \*\*\* One of adjustable C-hangers per panel to be fixed with fixing screw  $\frac{3}{16}$ "x1"

# Outer corner



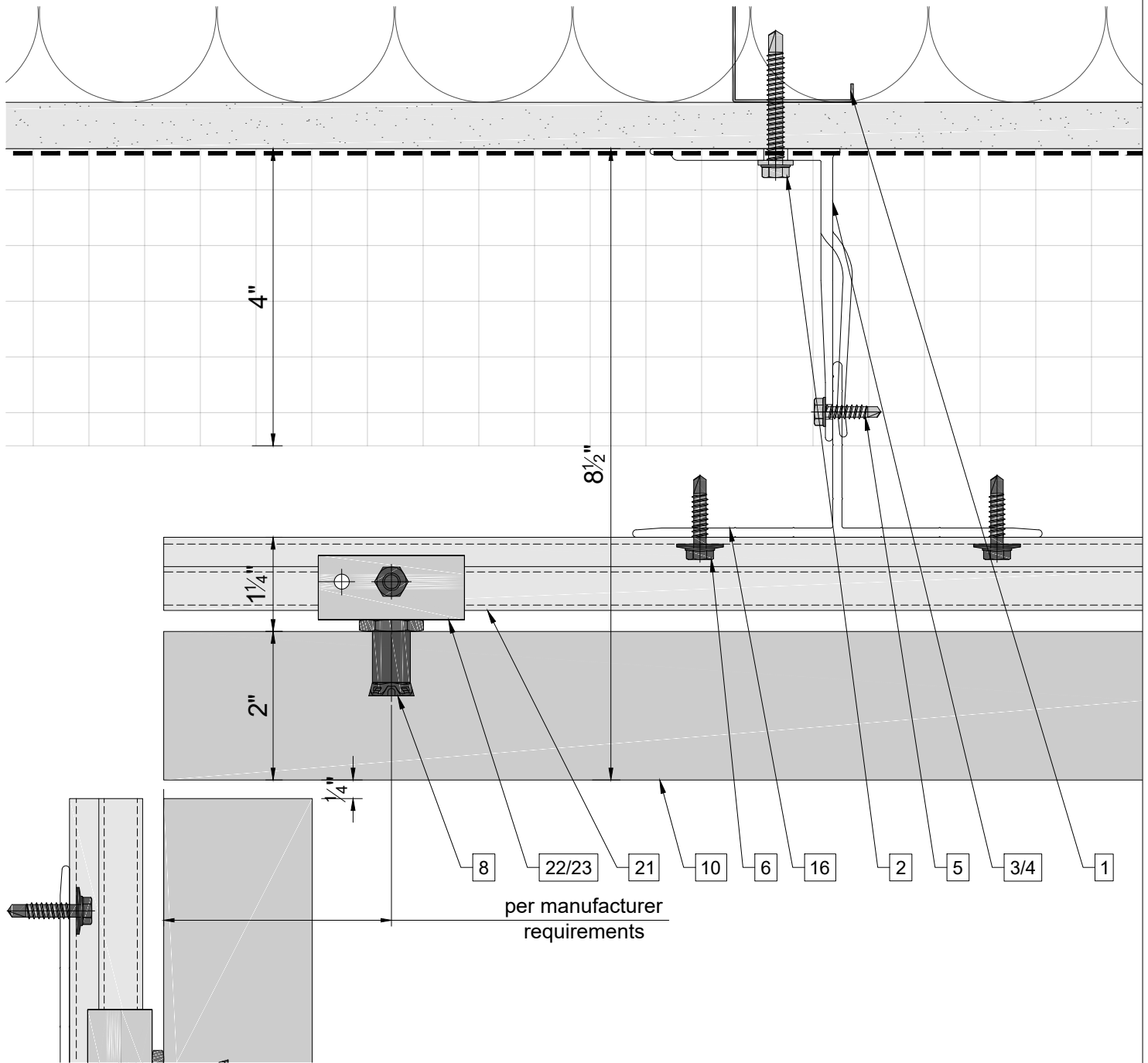
### Legend

- 1. Steel stud (16 GA typical)
- 2. Perimeter anchor
- 3. Alpha V wall bracket
- 4. Alpha V+ wall bracket
- 5. st/st self-drilling screw  $\frac{3}{16}$ "x $\frac{3}{4}$ "
- 6. st/st self-drilling screw  $\frac{1}{4}$ "x1"
- 7. Vertical L-profile
- 8. Undercut anchor
- 9. Insulation
- 10. Panel
- 11. A/V barrier

- 12. Exterior wall
- 13. Outer corner closure
- 14. Inner corner closure
- 15. Jamb closure
- 16. Vertical T-profile
- 17. Coping
- 18. Perforated window head closure
- 19. Window sill
- 20. Perforated base closure
- 21. C-carrier rail

- 22. C-hanger, adjustable
- 23. C-hanger, non-adjustable
- 24. Leveling bolt M6
- 25. Fixing screw  $\frac{3}{16}$ "x1"
- 26. Rivet

\* Ventilation will vary based on insulation depth.  
 \*\* Minimum ventilation requirement should be qualified by panel manufacturer.  
 \*\*\* One of adjustable C-hangers per panel to be fixed with fixing screw  $\frac{3}{16}$ "x1"



**Legend**

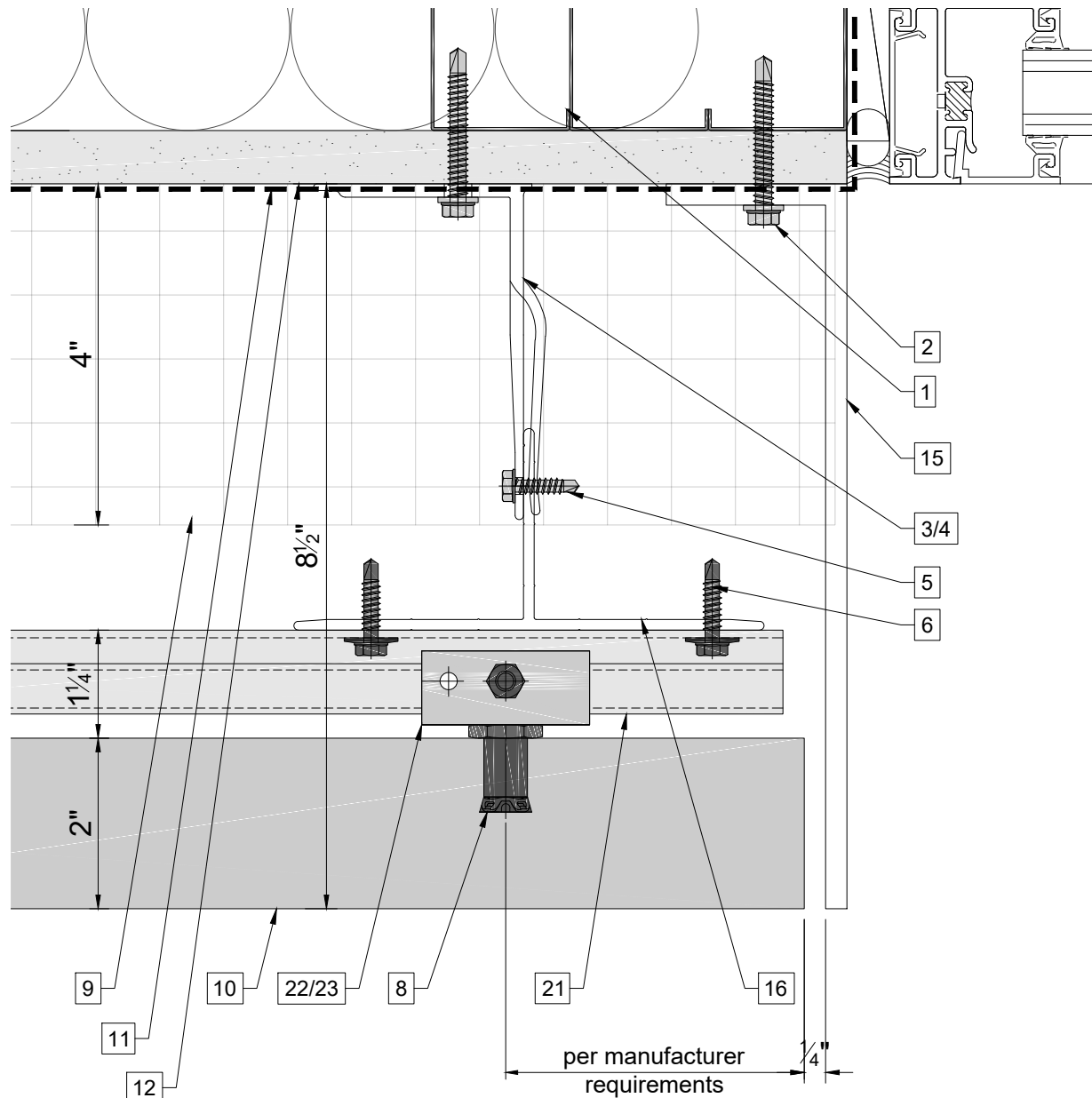
- 1. Steel stud (16 GA typical)
- 2. Perimeter anchor
- 3. Alpha V wall bracket
- 4. Alpha V+ wall bracket
- 5. st/st self-drilling screw  $\frac{3}{16}$ "x $\frac{3}{4}$ "
- 6. st/st self-drilling screw  $\frac{1}{4}$ "x1"
- 7. Vertical L-profile
- 8. Undercut anchor
- 9. Insulation
- 10. Panel
- 11. A/V barrier

- 12. Exterior wall
- 13. Outer corner closure
- 14. Inner corner closure
- 15. Jamb closure
- 16. Vertical T-profile
- 17. Coping
- 18. Perforated window head closure
- 19. Window sill
- 20. Perforated base closure
- 21. C-carrier rail

- 22. C-hanger, adjustable
- 23. C-hanger, non-adjustable
- 24. Leveling bolt M6
- 25. Fixing screw  $\frac{3}{16}$ "x1"
- 26. Rivet

\* Ventilation will vary based on insulation depth.  
 \*\* Minimum ventilation requirement should be qualified by panel manufacturer.  
 \*\*\* One of adjustable C-hangers per panel to be fixed with fixing screw  $\frac{3}{16}$ "x1"

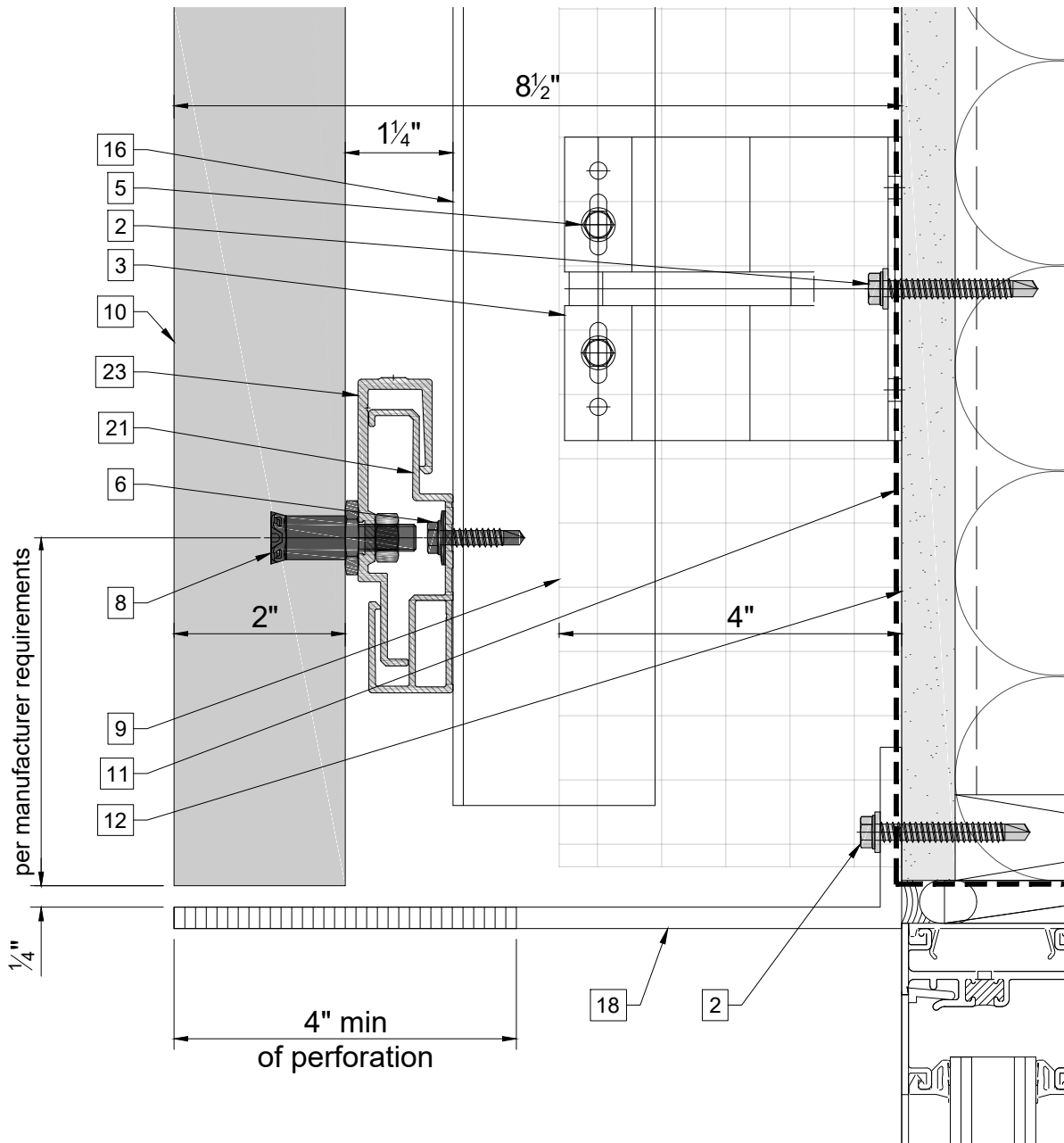
# Window jamb



## Legend

- |  |                                    |                                      |
|--|------------------------------------|--------------------------------------|
| 1. Steel stud (16 GA typical)                                  | 12. Exterior wall                  | 22. C-hanger, adjustable             |
| 2. Perimeter anchor  | 13. Outer corner closure           | 23. C-hanger, non-adjustable         |
| 3. Alpha V wall bracket  | 14. Inner corner closure           | 24. Leveling bolt M6                 |
| 4. Alpha V+ wall bracket                                       | 15. Jamb closure                   | 25. Fixing screw $\frac{3}{16}$ "x1" |
| 5. st/st self-drilling screw $\frac{3}{16}$ "x $\frac{3}{4}$ " | 16. Vertical T-profile             | 26. Rivet                            |
| 6. st/st self-drilling screw $\frac{1}{4}$ "x1"                | 17. Coping                         |                                      |
| 7. Vertical L-profile  | 18. Perforated window head closure |                                      |
| 8. Undercut anchor   | 19. Window sill                    |                                      |
| 9. Insulation  | 20. Perforated base closure        |                                      |
| 10. Panel  | 21. C-carrier rail                 |                                      |
| 11. A/V barrier  |                                    |                                      |

- \* Ventilation will vary based on insulation depth.
- \*\* Minimum ventilation requirement should be qualified by panel manufacturer.
- \*\*\* One of adjustable C-hangers per panel to be fixed with fixing screw  $\frac{3}{16}$ "x1"



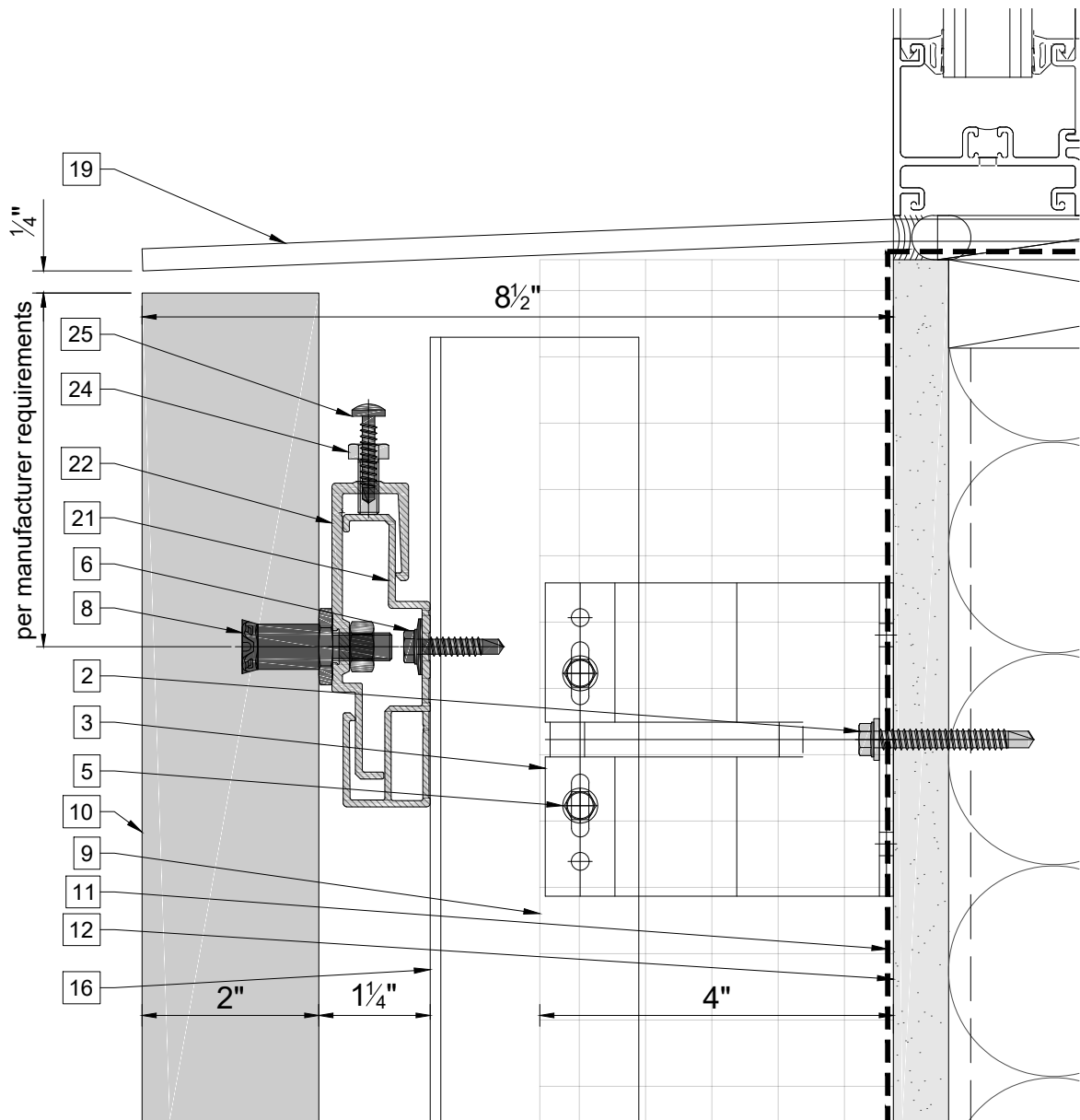
**Legend**

- 1. Steel stud (16 GA typical)
- 2. Perimeter anchor
- 3. Alpha V wall bracket
- 4. Alpha V+ wall bracket
- 5. st/st self-drilling screw  $\frac{3}{16}$ "x $\frac{3}{4}$ "
- 6. st/st self-drilling screw  $\frac{1}{4}$ "x1"
- 7. Vertical L-profile
- 8. Undercut anchor
- 9. Insulation
- 10. Panel
- 11. A/V barrier

- 12. Exterior wall
- 13. Outer corner closure
- 14. Inner corner closure
- 15. Jamb closure
- 16. Vertical T-profile
- 17. Coping
- 18. Perforated window head closure
- 19. Window sill
- 20. Perforated base closure
- 21. C-carrier rail

- 22. C-hanger, adjustable
- 23. C-hanger, non-adjustable
- 24. Leveling bolt M6
- 25. Fixing screw  $\frac{3}{16}$ "x1"
- 26. Rivet

\* Ventilation will vary based on insulation depth.  
 \*\* Minimum ventilation requirement should be qualified by panel manufacturer.  
 \*\*\* One of adjustable C-hangers per panel to be fixed with fixing screw  $\frac{3}{16}$ "x1"



**Legend**

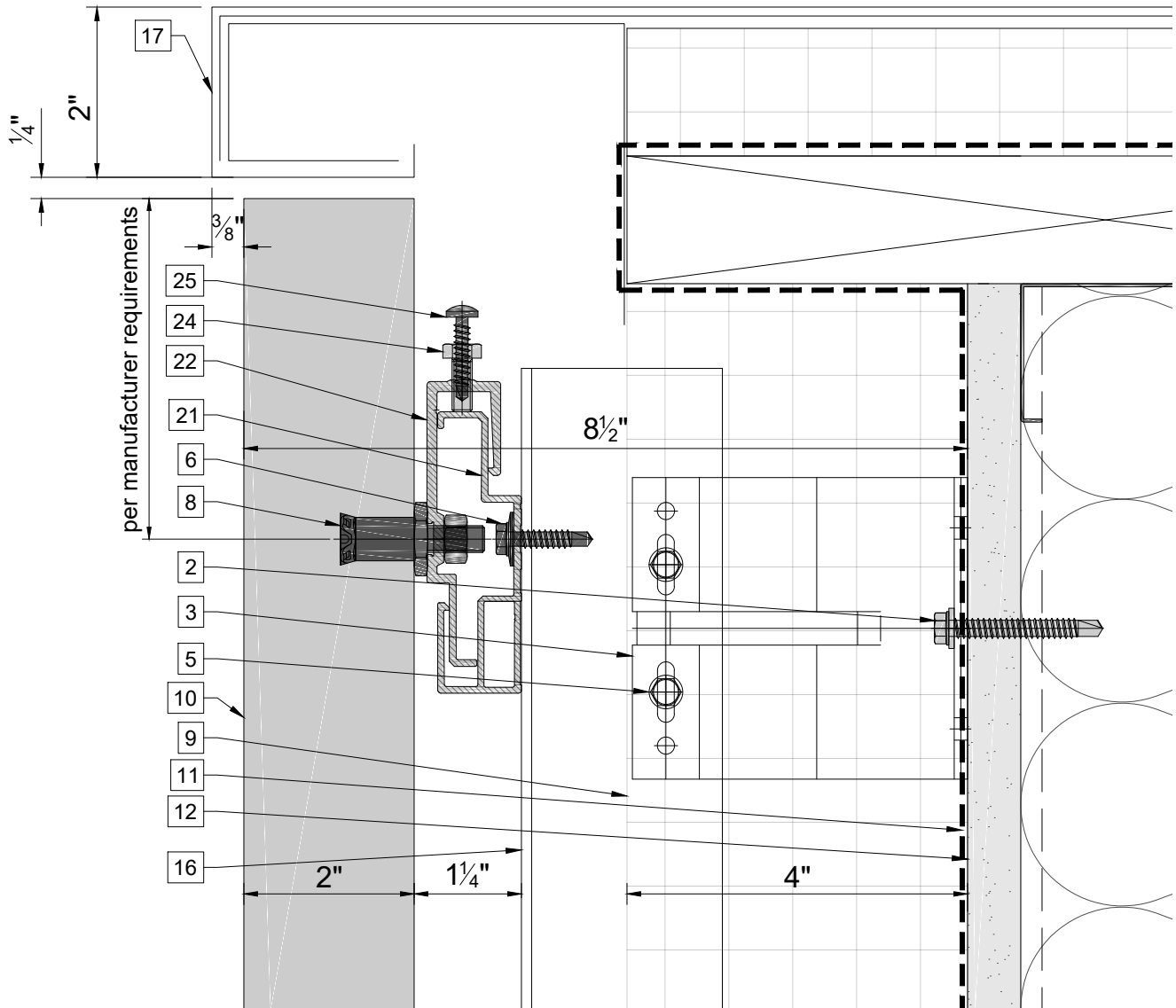
- 1. Steel stud (16 GA typical)
- 2. Perimeter anchor
- 3. Alpha V wall bracket
- 4. Alpha V+ wall bracket
- 5. st/st self-drilling screw  $\frac{3}{16}$ "x $\frac{3}{4}$ "
- 6. st/st self-drilling screw  $\frac{1}{4}$ "x1"
- 7. Vertical L-profile
- 8. Undercut anchor
- 9. Insulation
- 10. Panel
- 11. A/V barrier

- 12. Exterior wall
- 13. Outer corner closure
- 14. Inner corner closure
- 15. Jamb closure
- 16. Vertical T-profile
- 17. Coping
- 18. Perforated window head closure
- 19. Window sill
- 20. Perforated base closure
- 21. C-carrier rail

- 22. C-hanger, adjustable
- 23. C-hanger, non-adjustable
- 24. Leveling bolt M6
- 25. Fixing screw  $\frac{3}{16}$ "x1"
- 26. Rivet

\* Ventilation will vary based on insulation depth.  
 \*\* Minimum ventilation requirement should be qualified by panel manufacturer.  
 \*\*\* One of adjustable C-hangers per panel to be fixed with fixing screw  $\frac{3}{16}$ "x1"





**Legend**

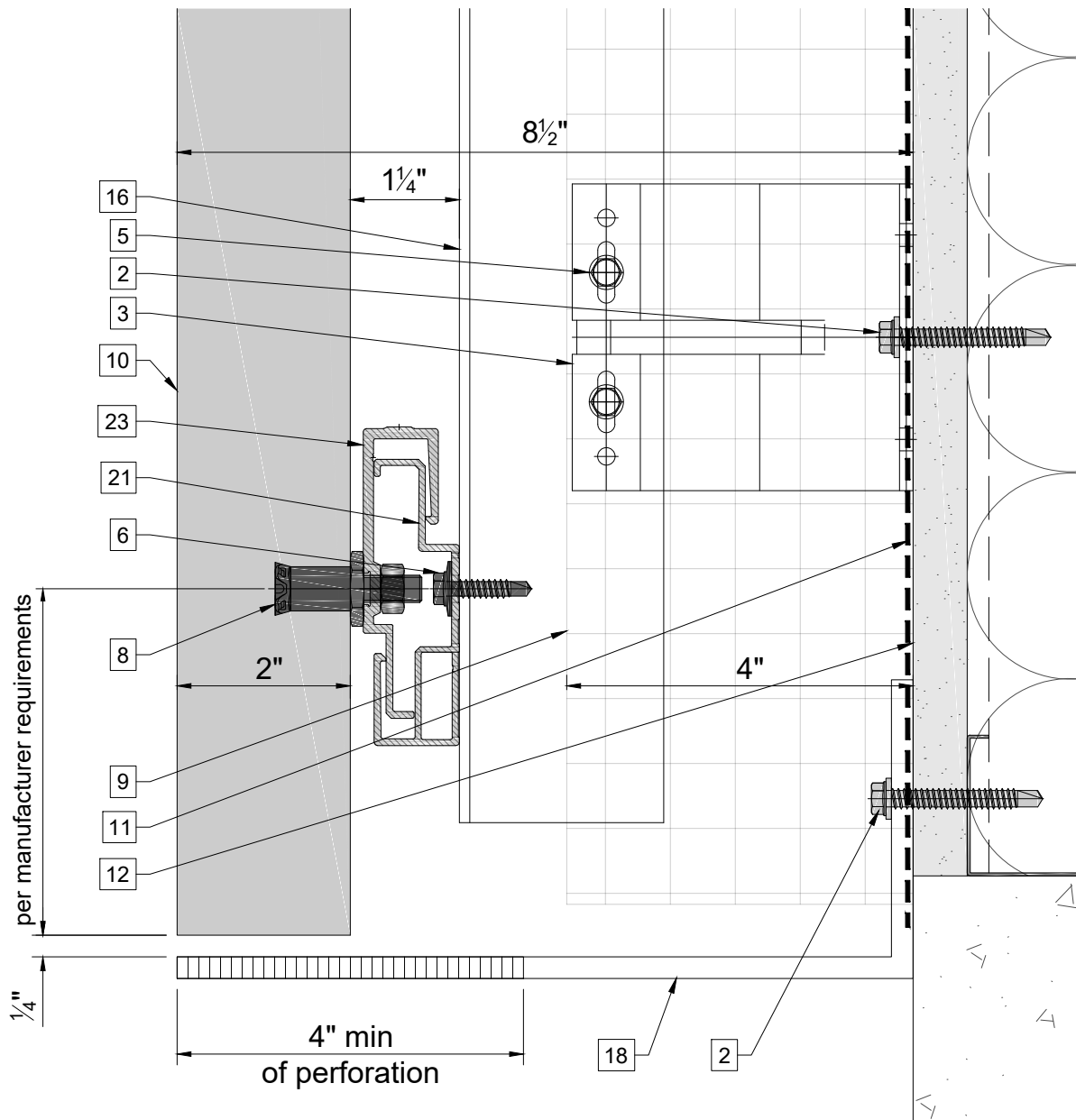
- 1. Steel stud (16 GA typical)
- 2. Perimeter anchor
- 3. Alpha V wall bracket
- 4. Alpha V+ wall bracket
- 5. st/st self-drilling screw  $\frac{3}{16}'' \times \frac{3}{4}''$
- 6. st/st self-drilling screw  $\frac{1}{4}'' \times 1''$
- 7. Vertical L-profile
- 8. Undercut anchor
- 9. Insulation
- 10. Panel
- 11. A/V barrier

- 12. Exterior wall
- 13. Outer corner closure
- 14. Inner corner closure
- 15. Jamb closure
- 16. Vertical T-profile
- 17. Coping
- 18. Perforated window head closure
- 19. Window sill
- 20. Perforated base closure
- 21. C-carrier rail

- 22. C-hanger, adjustable
- 23. C-hanger, non-adjustable
- 24. Leveling bolt M6
- 25. Fixing screw  $\frac{3}{16}'' \times 1''$
- 26. Rivet

\* Ventilation will vary based on insulation depth.  
 \*\* Minimum ventilation requirement should be qualified by panel manufacturer.  
 \*\*\* One of adjustable C-hangers per panel to be fixed with fixing screw  $\frac{3}{16}'' \times 1''$

# Base detail



### Legend

- 1. Steel stud (16 GA typical)
- 2. Perimeter anchor
- 3. Alpha V wall bracket
- 4. Alpha V+ wall bracket
- 5. st/st self-drilling screw  $\frac{3}{16}$ "x $\frac{3}{4}$ "
- 6. st/st self-drilling screw  $\frac{1}{4}$ "x1"
- 7. Vertical L-profile
- 8. Undercut anchor
- 9. Insulation
- 10. Panel
- 11. A/V barrier

- 12. Exterior wall
- 13. Outer corner closure
- 14. Inner corner closure
- 15. Jamb closure
- 16. Vertical T-profile
- 17. Coping
- 18. Perforated window head closure
- 19. Window sill
- 20. Perforated base closure
- 21. C-carrier rail

- 22. C-hanger, adjustable
- 23. C-hanger, non-adjustable
- 24. Leveling bolt M6
- 25. Fixing screw  $\frac{3}{16}$ "x1"
- 26. Rivet

\* Ventilation will vary based on insulation depth.  
 \*\* Minimum ventilation requirement should be qualified by panel manufacturer.  
 \*\*\* One of adjustable C-hangers per panel to be fixed with fixing screw  $\frac{3}{16}$ "x1"